

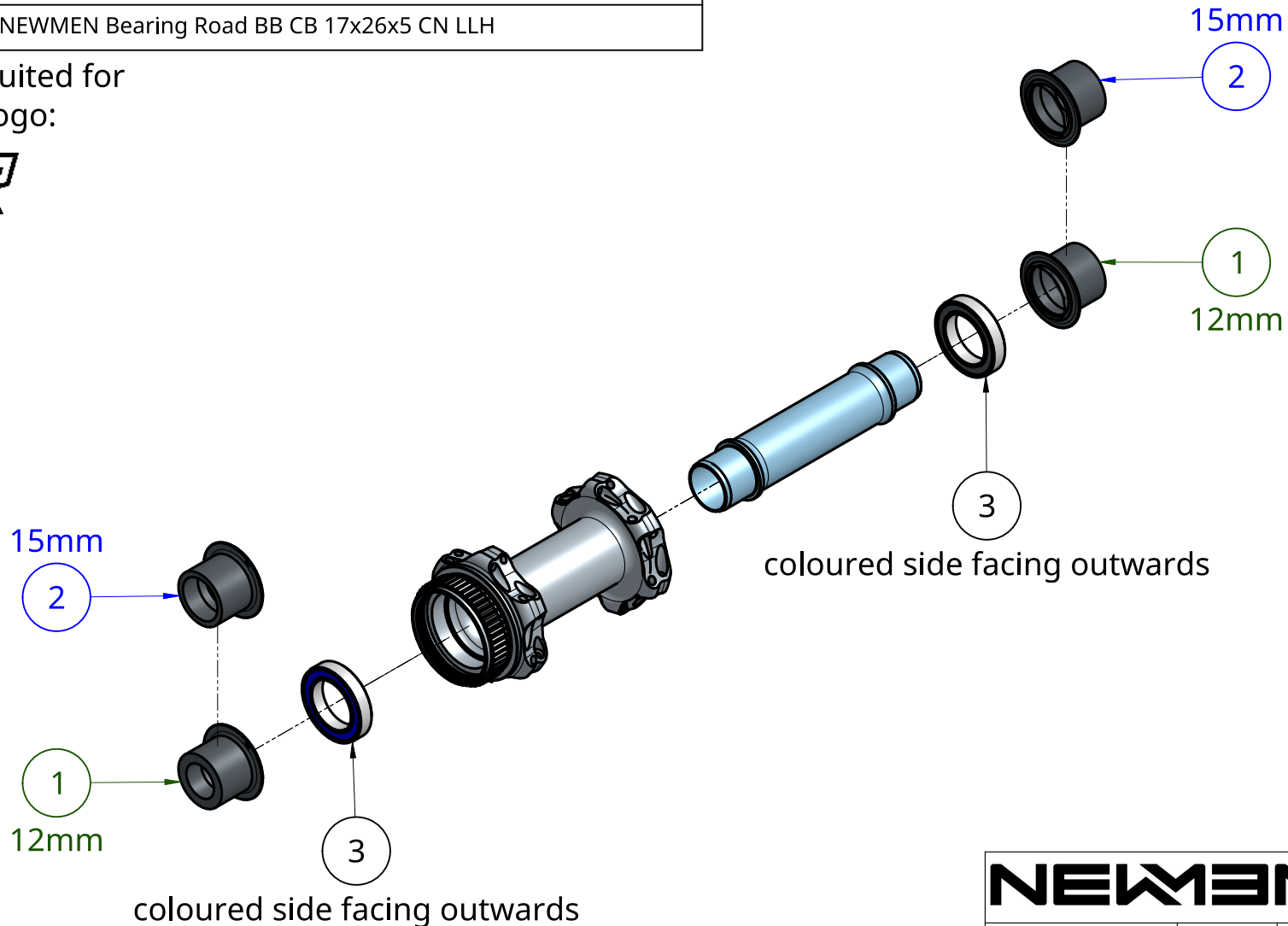
NEWMEN front hub FADE R 24/28 spoke holes spare parts

POS	ITEM	Description
1	90720	NEWMEN Fade Road/Gravel Endcap Set 12mm OD 19 mm
2	90719	NEWMEN Fade Road/Gravel Endcap Set 15mm OD 19 mm
3	90286	NEWMEN Bearing Road BB CB 17x26x5 CN LLH

spare parts are suited for hubs with laser logo:

FADE R

Recommended tools for hub service:
 90166 - NEWMEN Endcap Removal Tool 2
 90153 - NEWMEN Hub Tooling Set V2



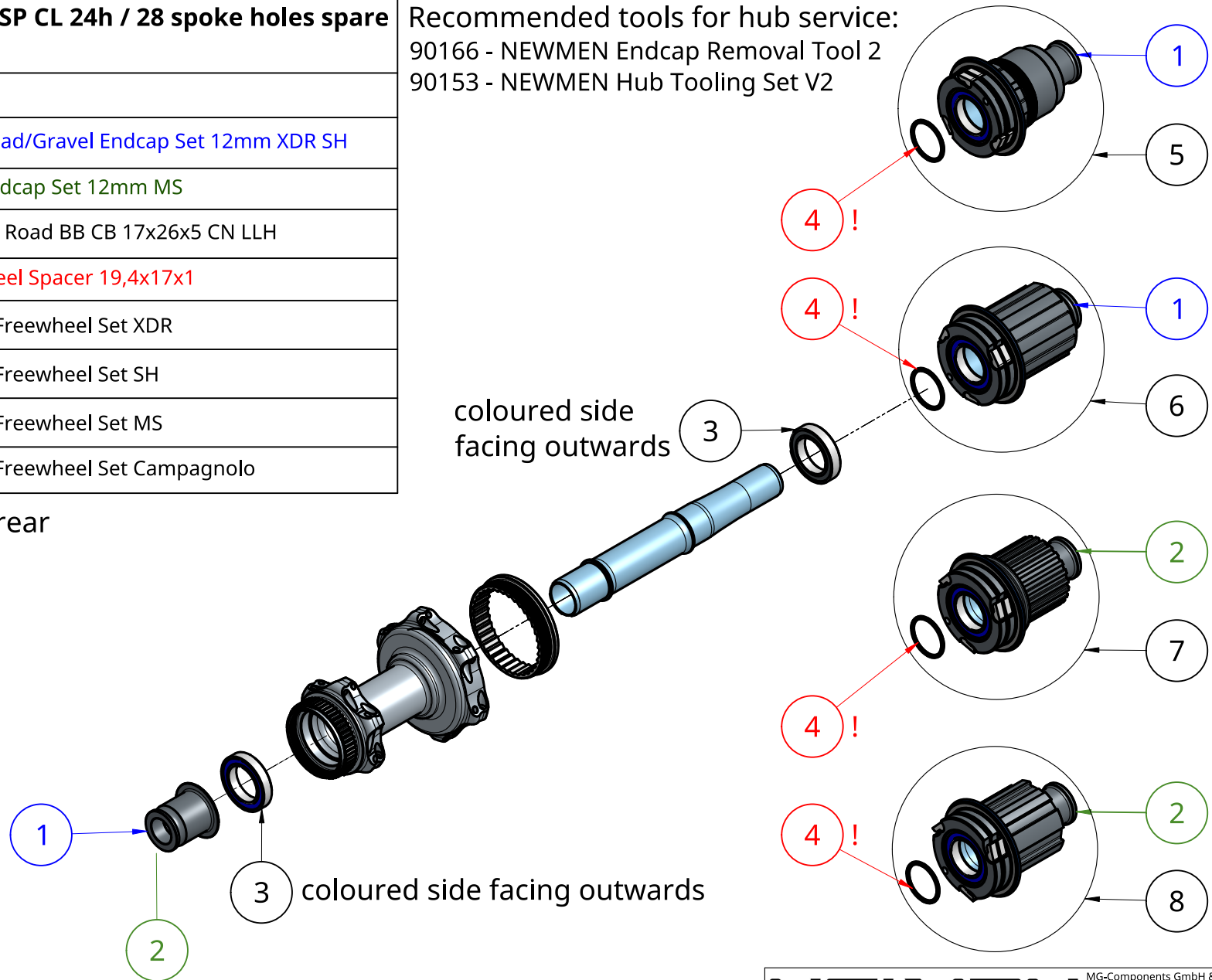
NEWMEN		MG-Components GmbH & Co. KG Am Mühlbach 5c 87487 Wiggensbach Germany	
DO NOT SCALE DRAWING	SIZE: A4	SCALE: 1:2	SHEET 1 of 3
Alle Informationen unter Vorbehalt. Wir behalten uns Änderungen vor All information subject to change. We reserve the right to make changes			drawing date: 2024-07-31

NEWMEN Hub Fade R 12x142 SP CL 24h / 28 spoke holes spare parts

POS	ITEM	Description
1	90716	NEWMEN Fade Road/Gravel Endcap Set 12mm XDR SH
2	90717	NEWMEN Fade Endcap Set 12mm MS
3	90286	NEWMEN Bearing Road BB CB 17x26x5 CN LLH
4	90921	NEWMEN Freewheel Spacer 19,4x17x1
5	90917	NEWMEN Fade R Freewheel Set XDR
6	90918	NEWMEN Fade R Freewheel Set SH
7	90919	NEWMEN Fade R Freewheel Set MS
8	90920	NEWMEN Fade R Freewheel Set Campagnolo

Recommended tools for hub service:
 90166 - NEWMEN Endcap Removal Tool 2
 90153 - NEWMEN Hub Tooling Set V2

spare parts are suited for rear hubs with laser logo:



detailed freewheel explosion view see sheet 3

NEWMEN		MG-Components GmbH & Co. KG Am Mühlbach 5c 87487 Wiggensbach Germany	
DO NOT SCALE DRAWING	SIZE: A4	SCALE: 2:5	SHEET 2 of 3
Alle Informationen unter Vorbehalt. Wir behalten uns Änderungen vor All information subject to change. We reserve the right to make changes			drawing date: 2024-07-31

Weitergabe sowie Vervielfältigung dieses Dokuments, Verwertung und Mitteilung seines Inhalts sind verboten, soweit nicht ausdrücklich gestattet. Zuwiderhandlungen verpflichten zu Schadensersatz. Alle Rechte für den Fall der Patent-, Gebrauchsmuster- oder Geschmacksmusterertragung vorbehalten. The copying, distribution and utilization of this document as well as the communication of its contents to others without expressed authorization is prohibited. Offenders will be held liable for the payment of damages. All rights reserved, in particular the right to carry out patent, utility or ornamental design registration.

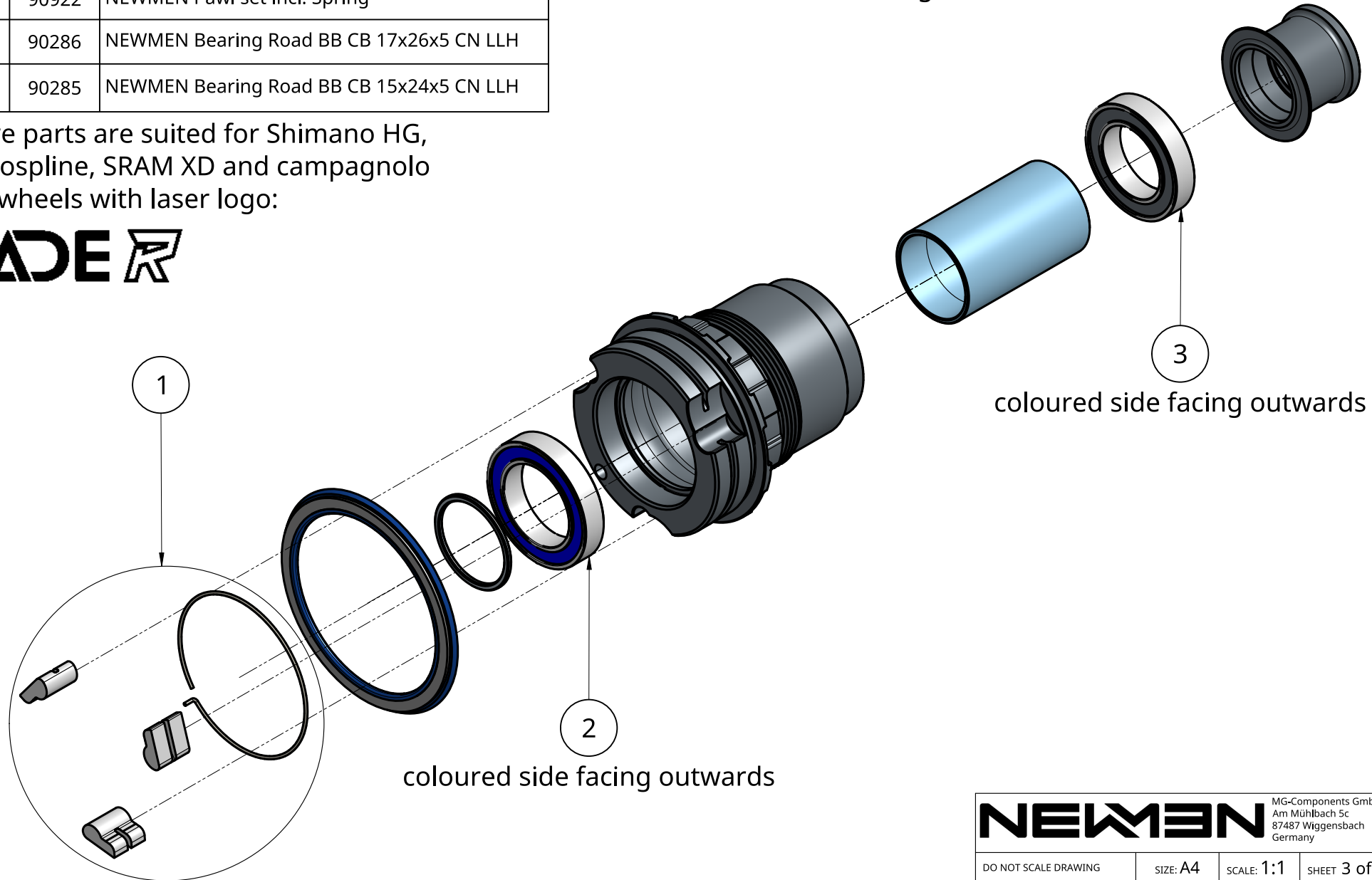
NEWMEN freewheel FADE R spare parts

POS	ITEM	Description
1	90922	NEWMEN Pawl set incl. Spring
2	90286	NEWMEN Bearing Road BB CB 17x26x5 CN LLH
3	90285	NEWMEN Bearing Road BB CB 15x24x5 CN LLH

spare parts are suited for Shimano HG, Microspline, SRAM XD and campagnolo freewheels with laser logo:

FADE R

Recommended tools for hub service:
 90166 - NEWMEN Endcap Removal Tool 2
 90153 - NEWMEN Hub Tooling Set V2



NEWMEN		MG-Components GmbH & Co. KG Am Mühlbach 5c 87487 Wiggensbach Germany	
DO NOT SCALE DRAWING	SIZE: A4	SCALE: 1:1	SHEET 3 of 3
Alle Informationen unter Vorbehalt. Wir behalten uns Änderungen vor All information subject to change. We reserve the right to make changes			drawing date: 2024-07-31